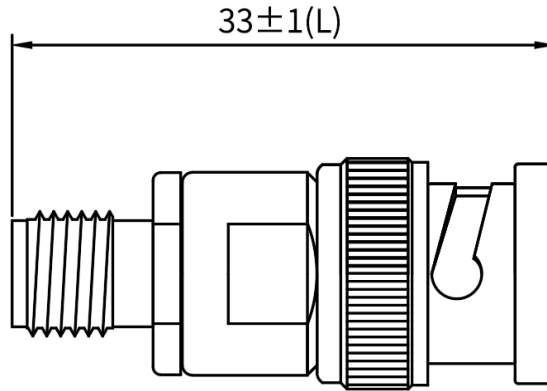




SMA Female 50Ω to BNC Male 75Ω, RF Matching Pads, RAMP03S08 DC-3GHz

Dimensions(mm) Tolerance±1%



Electrical & Environmental

Frequency Range	DC-3GHz	Impedance	50Ω/75Ω
VSWR	1.25 max	Insertion Loss	-

Mechanical & Product Information

Product Number	RAMP03S08, P-Grade	Connector	SMA Female 50Ω to BNC Male 75Ω
Connector Body	Passivated stainless steel 303/Nickel plated brass	Shape/Mounting	Straight, None
Center Contact	Gold plated beryllium copper	Insulator	PTFE
Dimension	33±1(L)mm	Net Weight	About 16.5g

Typical Test Data

