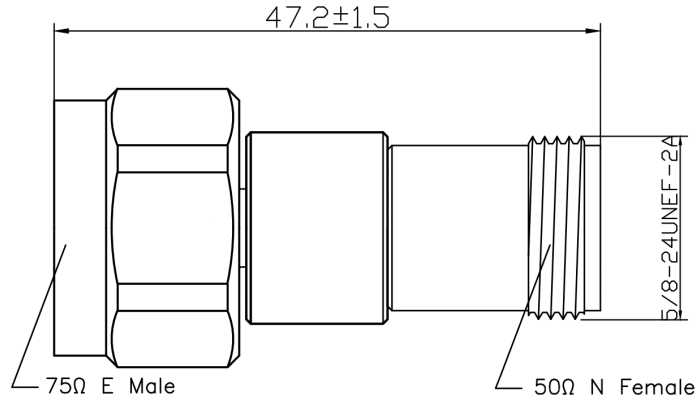


## N Female 50Ω to E Male 75Ω, RF Matching Pads, RAMP03N08 DC-3GHz, Straight

### Dimensions(mm) Tolerance±1%



### Electrical & Environmental

<b>Frequency Range</b>	DC-3GHz	<b>Impedance</b>	50Ω/75Ω
<b>VSWR</b>	1.25 max	<b>Operating Temp</b>	-40°C to +85°C
<b>Insertion Loss</b>	5.70dB max ±0.5dB		

### Mechanical & Product Information

<b>Product Number</b>	RAMP03N08, H-Grade	<b>Connector</b>	N Female 50Ω to E Male 75Ω
<b>Connector Body</b>	Passivated stainless steel 303/Nickel plated brass	<b>Shape/Mounting</b>	Straight, None
<b>Center Contact</b>	Gold plated beryllium copper	<b>Insulator</b>	PTFE