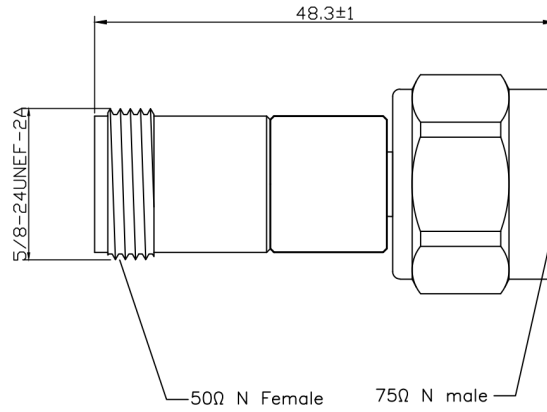




N Female 50Ω to N Male 75Ω, RF Matching Pads, RAMP03N07 DC-3GHz, Straight

Dimensions(mm) Tolerance±1%



Electrical & Environmental

Frequency Range	DC-3GHz	Impedance	50Ω/75Ω
VSWR	1.25 max	Operating Temp	-40°C to +125°C
Insertion Loss	5.70dB max ±0.5dB		

Mechanical & Product Information

Product Number	RAMP03N07, H-Grade	Connector	N Female 50Ω to N Male 75Ω
Connector Body	Passivated stainless steel 303	Shape/Mounting	Straight, None
Center Contact	Gold plated beryllium copper	Insulator	PTFE

Typical Test Data

□

