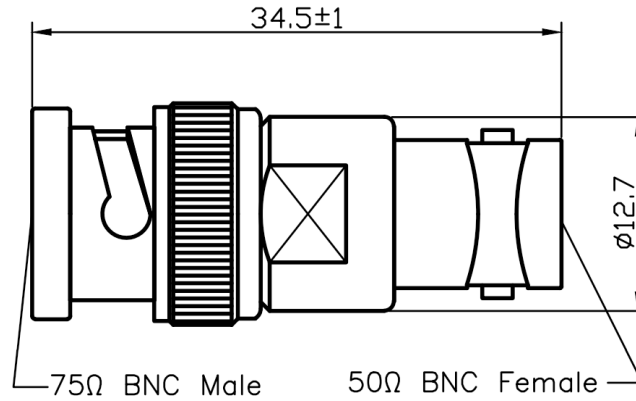


BNC Female 50Ω to BNC Male 75Ω, RF Matching Pads, RAMP03B01 DC-3GHz, Straight

Dimensions(mm) Tolerance $\pm 1\%$



Electrical & Environmental

| | | | |
|-----------------|-------------------------|----------------|-----------------|
| Frequency Range | DC-3GHz | Impedance | 50Ω/75Ω |
| VSWR | 1.25 max | Operating Temp | -40°C to +125°C |
| Insertion Loss | 5.70dB max ± 0.5 dB | | |

Mechanical & Product Information

| | | | |
|----------------|---------------------|----------------|--------------------------------|
| Product Number | RAMP03B01, H-Grade | Connector | BNC Female 50Ω to BNC Male 75Ω |
| Connector Body | Nickel plated brass | Shape/Mounting | Straight, None |
| Center Contact | Gold plated brass | Insulator | PTFE |