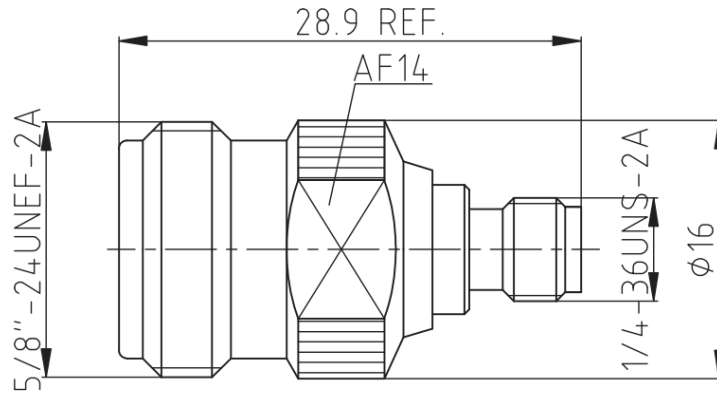


N Female to SMA Female, Adapter, RAL12N02 DC-12GHz, Straight

Dimensions(mm) Tolerance $\pm 1\%$



Electrical & Environmental

Frequency Range	DC-12GHz	Impedance	50 ohm
VSWR	1.25 max	Operating Temp	-55°C to +165°C
PIM	-155dBc min		

Mechanical & Product Information

Product Number	RAL12N02, H-Grade, Low PIM	Connector	N Female to SMA Female
Connector Body	Ternary alloy plated brass	Shape/Mounting	Straight, None
Center Contact	BeCu/Brass,Gold or Silver plating	Insulator	PTFE