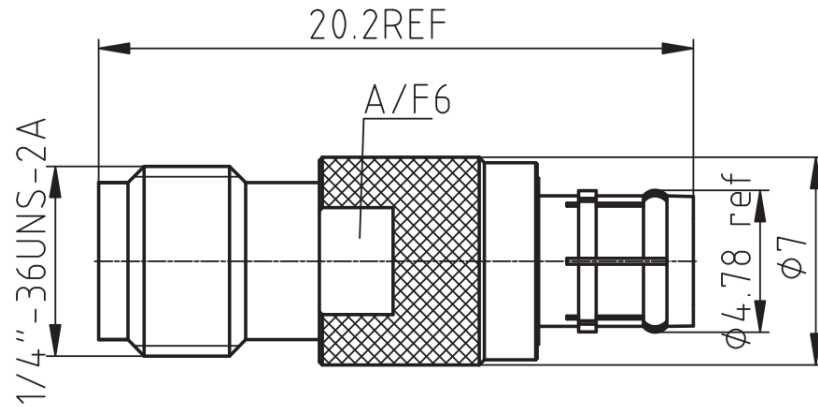


SMA Female to ZSMP Female, Adapter, RAL06S10 DC-6GHz, Straight

Dimensions(mm) Tolerance $\pm 1\%$



Electrical & Environmental

Frequency Range	DC-6GHz	Impedance	50 ohm
VSWR	1.25 max	Operating Temp	-55°C to +165°C
PIM	-150dBc min		

Mechanical & Product Information

Product Number	RAL06S10, H-Grade, Low PIM	Connector	SMA Female to ZSMP Female
Connector Body	Ternary alloy plated brass/BeCu	Shape/Mounting	Straight, None
Center Contact	BeCu/Brass,Gold plating	Insulator	PTFE

