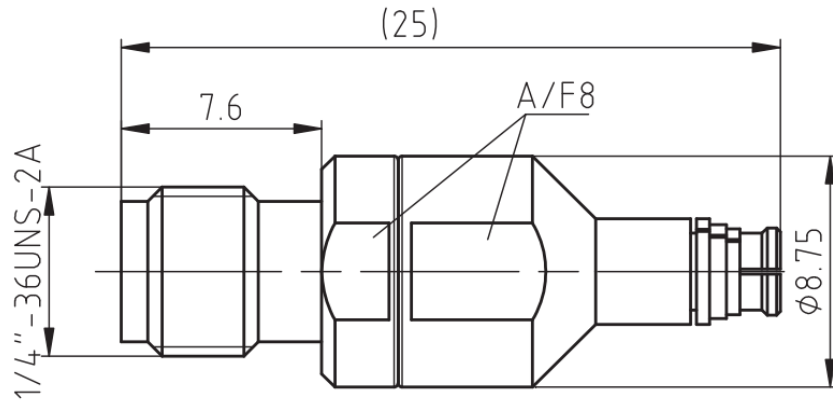


## SMA Female to SMP(GPO) Female, Adapter, RAL06S05 DC-6GHz, Straight

Dimensions(mm) Tolerance $\pm 1\%$



### Electrical & Environmental

<b>Frequency Range</b>	DC-6GHz	<b>Impedance</b>	50 ohm
<b>VSWR</b>	1.25 max	<b>Operating Temp</b>	-55°C to +165°C
<b>PIM</b>	-150dBc min		

### Mechanical & Product Information

<b>Product Number</b>	RAL06S05, H-Grade, Low PIM	<b>Connector</b>	SMA Female to SMP(GPO) Female
<b>Connector Body</b>	Gold plated brass/BeCu	<b>Shape/Mounting</b>	Straight, None
<b>Center Contact</b>	BeCu/Brass,Gold plating	<b>Insulator</b>	PTFE

