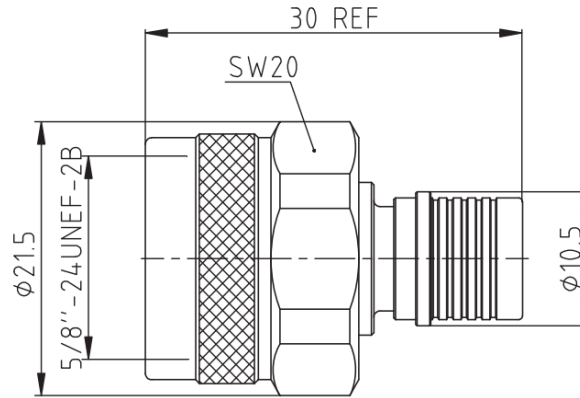


## N Male to QMA Male, Adapter, RAL06N07Q DC-6GHz, Straight, Quick Plug

Dimensions(mm) Tolerance $\pm 1\%$



### Electrical & Environmental

Frequency Range	DC-6GHz	Impedance	50 ohm
VSWR	1.25 max	Operating Temp	-55°C to +165°C
PIM	-155dBc min		

### Mechanical & Product Information

Product Number	RAL06N07Q, H-Grade, Low PIM	Connector	N Male to QMA Male
Connector Body	Ternary alloy plated brass	Shape/Mounting	Straight, Quick Plug
Center Contact	BeCu/Brass, Silver plating	Insulator	PTFE

