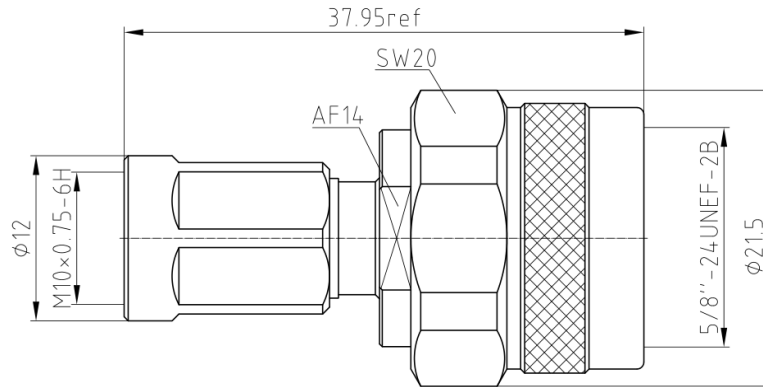




## N Male to NEX10 Male, Adapter, RAL06D44 DC-6GHz, Straight

Dimensions(mm) Tolerance±1%



### Electrical & Environmental

Frequency Range	DC-6GHz	Impedance	50 ohm
VSWR	1.25 max	Operating Temp	-40°C to +155°C
PIM	-160dBc min		

### Mechanical & Product Information

Product Number	RAL06D44, H-Grade, Low PIM	Connector	N Male to NEX10 Male
Connector Body	Ternary alloy plated brass	Shape/Mounting	Straight, None
Center Contact	Silver plated beryllium copper	Insulator	PTFE

### Typical Test Data

