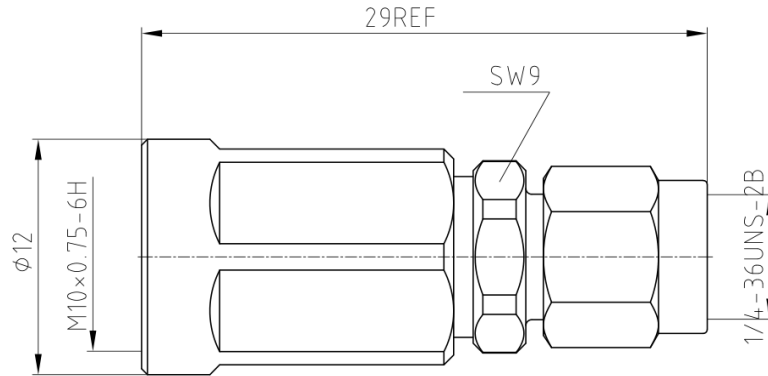




NEX10 Male to SMA Male, Adapter, RAL06D40 DC-6GHz, Straight

Dimensions(mm) Tolerance $\pm 1\%$



Electrical & Environmental

Frequency Range	DC-6GHz	Impedance	50 ohm
VSWR	1.25 max	Operating Temp	-40°C to +155°C
PIM	-155dBc min		

Mechanical & Product Information

Product Number	RAL06D40, H-Grade, Low PIM	Connector	NEX10 Male to SMA Male
Connector Body	Ternary alloy plated brass	Shape/Mounting	Straight, None
Center Contact	Silver plated beryllium copper	Insulator	PTFE

Typical Test Data

