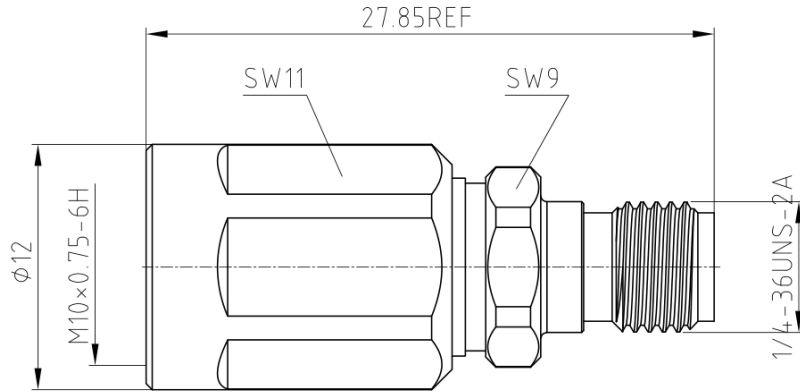




NEX10 Male to 3.5mm Female, Adapter, RAL06D39 DC-6GHz, Straight

Dimensions(mm) Tolerance±1%



Electrical & Environmental

| | | | |
|-----------------|-------------|----------------|-----------------|
| Frequency Range | DC-6GHz | Impedance | 50 ohm |
| VSWR | 1.25 max | Operating Temp | -40°C to +155°C |
| PIM | -155dBc min | | |

Mechanical & Product Information

| | | | |
|----------------|--------------------------------|----------------|----------------------------|
| Product Number | RAL06D39, H-Grade, Low PIM | Connector | NEX10 Male to 3.5mm Female |
| Connector Body | Ternary alloy plated brass | Shape/Mounting | Straight, None |
| Center Contact | Silver plated beryllium copper | Insulator | PTFE |

Typical Test Data

