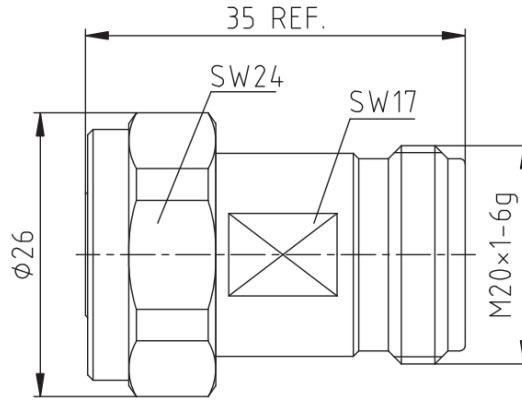


4.1-9.5 Male to 4.3-10 Female, Adapter, RAL06D25 DC-6GHz, Straight

Dimensions(mm) Tolerance $\pm 1\%$



Electrical & Environmental

Frequency Range	DC-6GHz	Impedance	50 ohm
VSWR	1.25 max	Operating Temp	-55°C to +165°C
PIM	-160dBc min		

Mechanical & Product Information

Product Number	RAL06D25, H-Grade, Low PIM	Connector	4.1-9.5 Male to 4.3-10 Female
Connector Body	Ternary alloy plated brass	Shape/Mounting	Straight, None
Center Contact	BeCu/Brass, Silver plating	Insulator	PTFE

