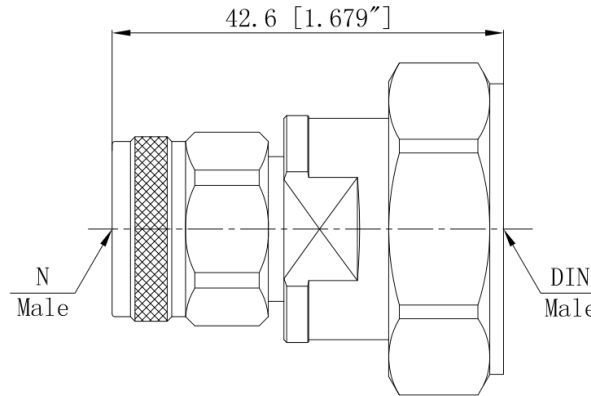




L29(DIN 7/16) Male to N Male, Adapter, RAL06D16 DC-6GHz, Straight

Dimensions(mm) Tolerance±1%



Electrical & Environmental

Frequency Range	DC-6GHz	Impedance	50 ohm
VSWR	1.2 max	Operating Temp	-55°C to +165°C
Insertion Loss	0.30dB max	PIM	-160dBc min

Mechanical & Product Information

Product Number	RAL06D16, H-Grade, Low PIM	Connector	L29(DIN 7/16) Male to N Male
Connector Body	Ternary alloy plated brass	Shape/Mounting	Straight, None
Center Contact	Silver plated beryllium copper	Insulator	PTFE

Typical Test Data

