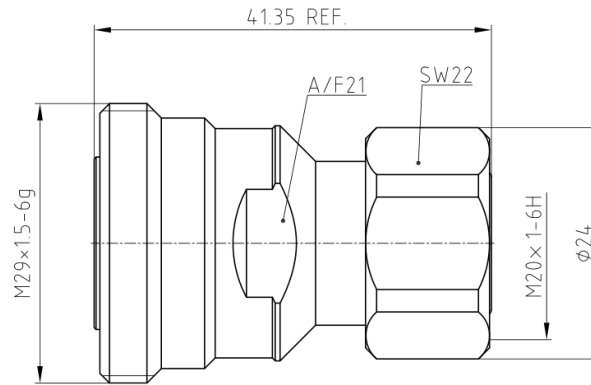




L29(DIN 7/16) Female to 4.3-10 Male, Adapter, RAL06D13 DC-6GHz, Straight

Dimensions(mm) Tolerance±1%



Electrical & Environmental

| | | | |
|-----------------|------------|----------------|-----------------|
| Frequency Range | DC-6GHz | Impedance | 50 ohm |
| VSWR | 1.2 max | Operating Temp | -40°C to +155°C |
| Insertion Loss | 0.15dB max | PIM | -160dBc min |

Mechanical & Product Information

| | | | |
|----------------|--------------------------------|----------------|-------------------------------------|
| Product Number | RAL06D13, H-Grade, Low PIM | Connector | L29(DIN 7/16) Female to 4.3-10 Male |
| Connector Body | Ternary alloy plated brass | Shape/Mounting | Straight, None |
| Center Contact | Silver plated beryllium copper | Insulator | PTFE |

Typical Test Data

