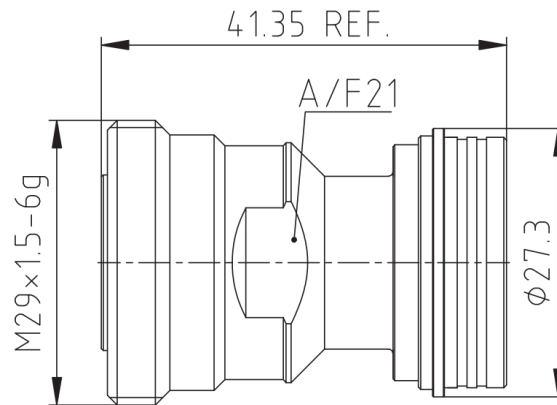


## L29(DIN 7/16) Female to 4.3-10Q Male, Adapter, RAL06D13Q DC-6GHz, Straight, Quick Plug

### Dimensions(mm) Tolerance $\pm 1\%$



### Electrical & Environmental

<b>Frequency Range</b>	DC-6GHz	<b>Impedance</b>	50 ohm
<b>VSWR</b>	1.25 max	<b>Operating Temp</b>	-55°C to +165°C
<b>PIM</b>	-160dBc min		

### Mechanical & Product Information

<b>Product Number</b>	RAL06D13Q, H-Grade, Low PIM	<b>Connector</b>	L29(DIN 7/16) Female to 4.3-10Q Male
<b>Connector Body</b>	Ternary alloy plated brass	<b>Shape/Mounting</b>	Straight, Quick Plug
<b>Center Contact</b>	BeCu/Brass, Silver plating	<b>Insulator</b>	PTFE

