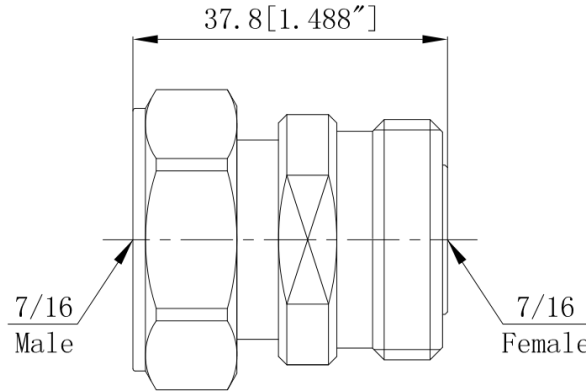




L29(DIN 7/16) Male to L29(DIN 7/16) Female, Adapter, RAL06D03 DC-6GHz, Straight

Dimensions(mm) Tolerance $\pm 1\%$



Electrical & Environmental

Frequency Range	DC-6GHz	Impedance	50 ohm
VSWR	1.2 max	Operating Temp	-55°C to +165°C
PIM	-160dBc min		

Mechanical & Product Information

Product Number	RAL06D03, H-Grade, Low PIM	Connector	L29(DIN 7/16) Male to L29(DIN 7/16) Female
Connector Body	Ternary alloy plated brass	Shape/Mounting	Straight, None
Center Contact	Silver plated beryllium copper	Insulator	PTFE

Typical Test Data

