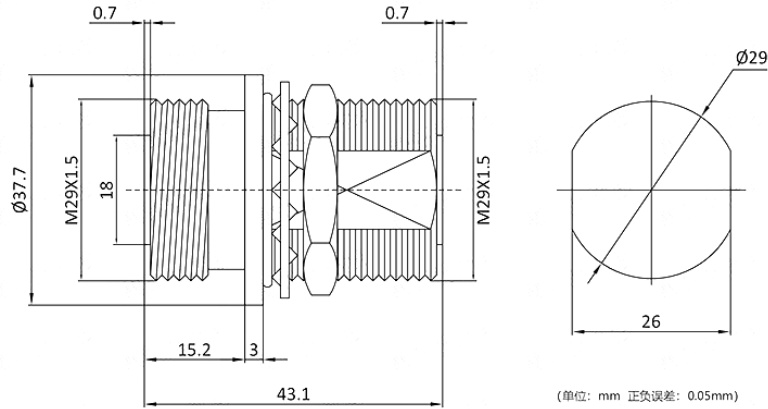




L29(DIN 7/16) Female to L29(DIN 7/16) Female, Adapter, **RAL06D02Y**
DC-6GHz, Straight, Bulkhead

Dimensions(mm) Tolerance $\pm 1\%$



Electrical & Environmental

Frequency Range	DC-6GHz	Impedance	50 ohm
VSWR	1.2 max (3-6GHz); 1.05 max (DC-3GHz)	Operating Temp	-45°C to +125°C
PIM	-155dBc min		

Mechanical & Product Information

Product Number	RAL06D02Y, E-Grade	Connector	L29(DIN 7/16) Female to L29(DIN 7/16) Female
Connector Body	Ternary alloy plated brass	Shape/Mounting	Straight, Bulkhead
Center Contact	Brass, Silver plating	Insulator	PTFE

