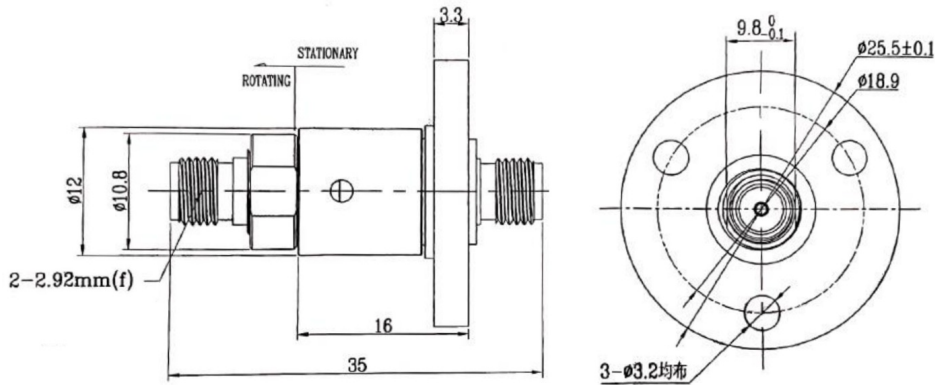




2.92mm(K,SK) Female to 2.92mm(K,SK) Female, Rotary Joint, RAJ4001  
DC-40GHz, Straight

Dimensions(mm) Tolerance $\pm 1\%$



Electrical & Environmental

Frequency Range	DC-40GHz	Impedance	50 ohm
VSWR	2 max $\pm 0.15$	Operating Temp	-40°C to +70°C
Insertion Loss	1.20dB max $\pm 0.1$ dB		

Mechanical & Product Information

Product Number	RAJ4001	Connector	2.92mm(K,SK) Female to 2.92mm(K,SK) Female
Connector Body	Passivated stainless steel	Shape/Mounting	Straight, None
Center Contact	Gold plated beryllium copper	Insulator	PEI