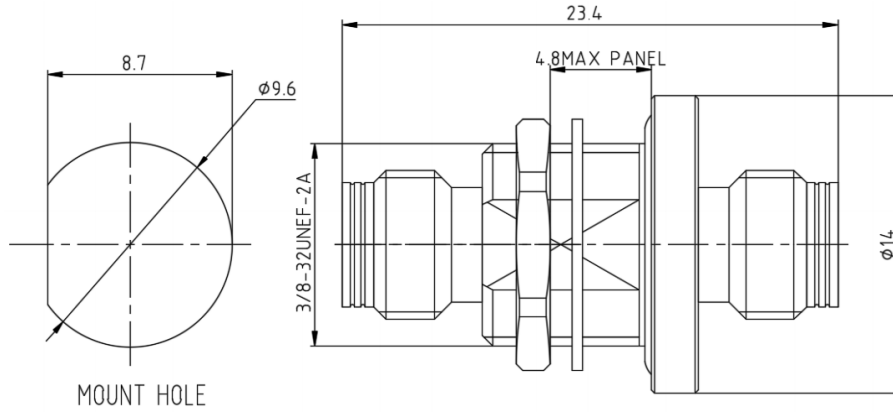


1.85mm Female to 1.85mm Female, Adapter, RAHS67V01Y DC-67GHz, Straight, Bulkhead

Dimensions(mm) Tolerance $\pm 1\%$



Electrical & Environmental

Frequency Range	DC-67GHz	Impedance	50 ohm
VSWR	1.5 max	Operating Temp	-65°C to +165°C

Mechanical & Product Information

Product Number	RAHS67V01Y, H-Grade,	Connector	1.85mm Female to 1.85mm Female
Connector Body	Passivated stainless steel	Shape/Mounting	Straight, Bulkhead
Center Contact	Gold plated beryllium copper	Insulator	