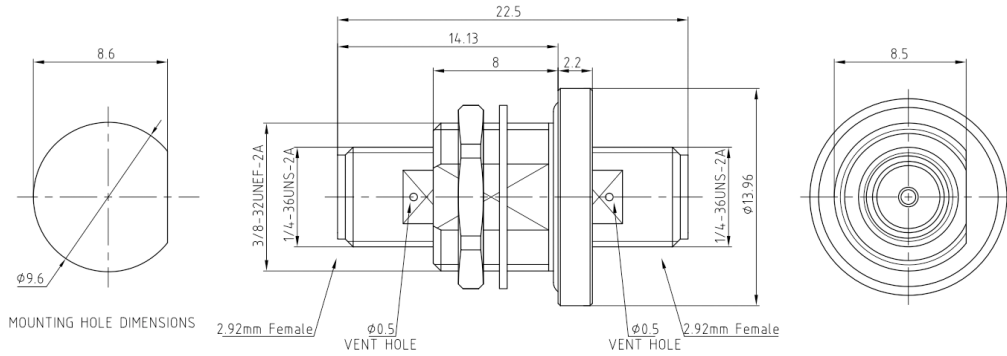




2.92mm(K,SK) Female to 2.92mm(K,SK) Female, Hermetically Sealed Adapter, RAHS40K01YH DC-40GHz, Bulkhead

Dimensions(mm) Tolerance±1%



Electrical & Environmental

Frequency Range	DC-40GHz	Impedance	50 ohm
VSWR	1.35 max	Insertion Loss	-
Hermetic	1*10 ⁻⁸ cc/sec of Helium at 1 ATM		
Mating Cycles	>500 Cycles	OT Range	-65°C to +165°C

Mechanical & Product Information

Product Number	RAHS40K01YH, P-Grade, Vacuum Application	Connector	2.92mm(K,SK) Female to 2.92mm(K,SK) Female
Connector Body	Gold plated stainless steel	Shape/Mounting	Straight, Bulkhead
Center Contact	Gold plated beryllium copper	Insulator	Glass&PEI
Dimension	22.5(L)mm	Net Weight	About 8.0g

Typical Test Data

