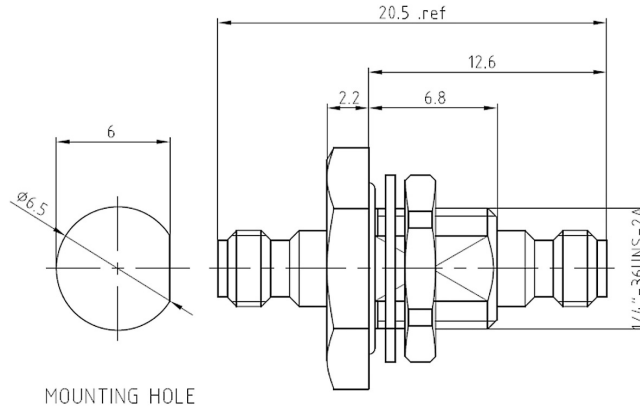




## 1.0mm Female to 1.0mm Female, Adapter, RAHS110W01Y DC-110GHz, Straight, Bulkhead

### Dimensions(mm) Tolerance $\pm 1\%$



### Electrical & Environmental

Frequency Range	DC-110GHz	Impedance	50 ohm
VSWR	1.65 max	Operating Temp	-65°C to +165°C

### Mechanical & Product Information

Product Number	RAHS110W01Y, H-Grade, Hermetically Sealed	Connector	1.0mm Female to 1.0mm Female
Connector Body	Passivated stainless steel	Shape/Mounting	Straight, Bulkhead
Center Contact	Gold plated beryllium copper	Insulator	