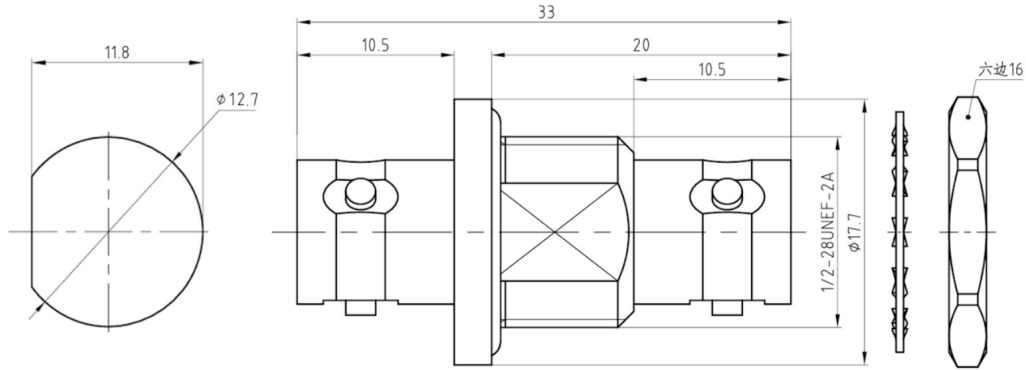


## TRB Female to TRB Female, Adapter, RAHS04TRB01Y DC-0.5GHz, Straight, Bulkhead

### Dimensions(mm) Tolerance $\pm 1\%$



### Electrical & Environmental

<b>Frequency Range</b>	DC-0.5GHz	<b>Impedance</b>	0 ohm
<b>VSWR</b>	max	<b>Operating Temp</b>	-40°C to +85°C

### Mechanical & Product Information

<b>Product Number</b>	RAHS04TRB01Y, H-Grade,	<b>Connector</b>	TRB Female to TRB Female
<b>Connector Body</b>	Passivated stainless steel	<b>Shape/Mounting</b>	Straight, Bulkhead
<b>Center Contact</b>	Gold plated beryllium copper	<b>Insulator</b>	