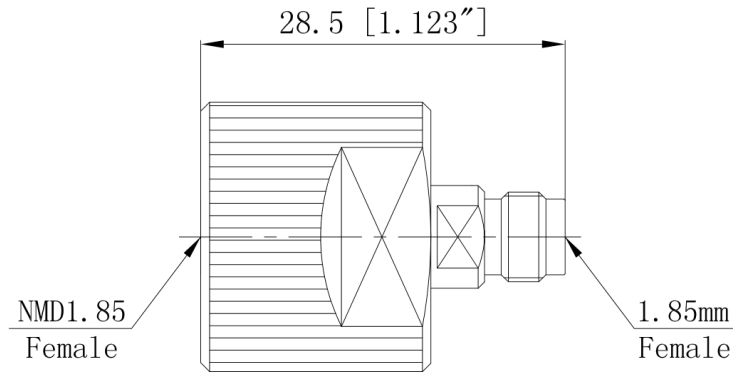


NMD1.85 Female to 1.85mm Female, Adapter, RA6712-3 DC-67GHz, Straight

Dimensions(mm) Tolerance±1%



Electrical & Environmental

Frequency Range	DC-67GHz	Impedance	50 ohm
VSWR	1.3 max	Operating Temp	-55°C to +165°C

Mechanical & Product Information

Product Number	RA6712-3, E-Grade, NMD Series	Connector	NMD1.85 Female to 1.85mm Female
Connector Body	Passivated stainless steel	Shape/Mounting	Straight, None
Center Contact	Gold plated beryllium copper	Insulator	PEI