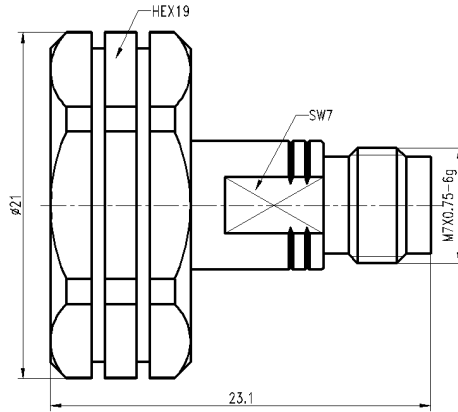




## NMD1.85 Female to 1.85mm Female, Adapter, RA6712-2 DC-67GHz, Straight

### Dimensions(mm) Tolerance $\pm 1\%$



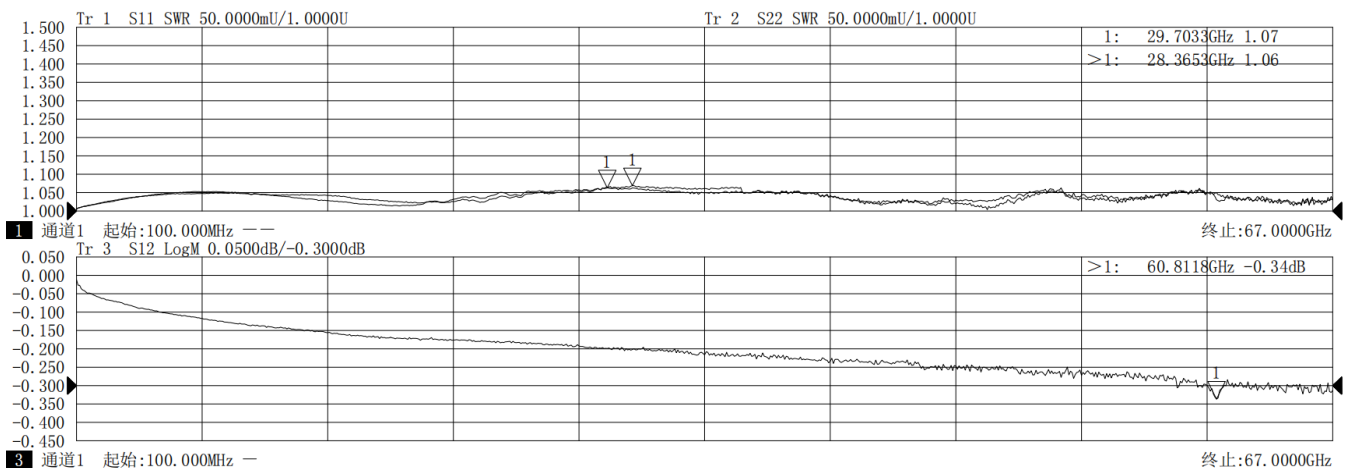
### Electrical & Environmental

Frequency Range	DC-67GHz	Impedance	50 ohm
VSWR	1.2 max	Operating Temp	-55°C to +165°C

### Mechanical & Product Information

Product Number	RA6712-2, JP-Grade, NMD Series	Connector	NMD1.85 Female to 1.85mm Female
Connector Body	Passivated stainless steel	Shape/Mounting	Straight, None
Center Contact	Gold plated beryllium copper	Insulator	PEI

### Typical Test Data



通道	扫描类型	起始频率	终止频率	扫描点数	中频带宽 (Hz)	扫描时间 (s)	端口1,2功率 (dBm)
通道1	线性扫描	0.100000000GHz	67.000000000GHz	801	1000	0.806015	-5.0, -5.0