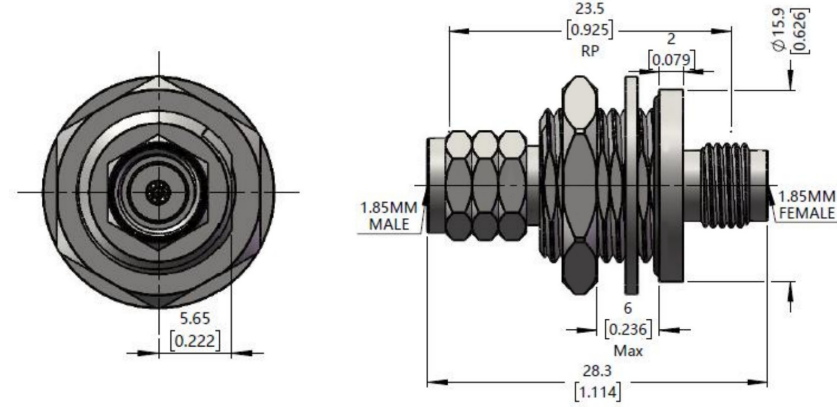




1.85mm Female to 1.85mm Female, Adapter, RA6703YS DC-67GHz, Straight, Bulkhead

Dimensions(mm) Tolerance $\pm 1\%$



Electrical & Environmental

Frequency Range	DC-67GHz	Impedance	50 ohm
VSWR	1.25 max	Operating Temp	-55°C to +165°C
Insertion Loss	0.40dB max		

Mechanical & Product Information

Product Number	RA6703YS, JP-Grade, Sealing ring	Connector	1.85mm Female to 1.85mm Female
Connector Body	Passivated stainless steel	Shape/Mounting	Straight, Bulkhead
Center Contact	Gold plated beryllium copper	Insulator	PEI