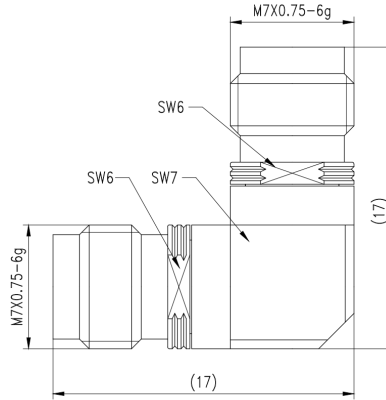




1.85mm Female to 1.85mm Female, Adapter, RA6701W DC-67GHz, Right Angle

Dimensions(mm) Tolerance±1%



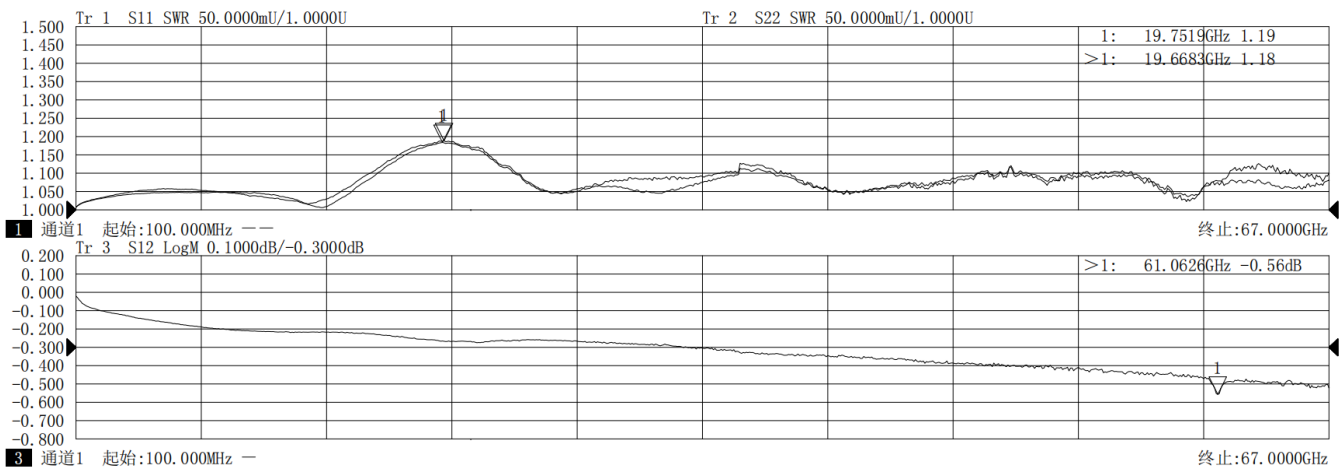
Electrical & Environmental

Frequency Range	DC-67GHz	Impedance	50 ohm
VSWR	1.25 max	Operating Temp	-55°C to +165°C
Insertion Loss	0.60dB max $\leq 0.08\sqrt{f(\text{GHz})}$ dB		

Mechanical & Product Information

Product Number	RA6701W, JP-Grade	Connector	1.85mm Female to 1.85mm Female
Connector Body	Passivated stainless steel	Shape/Mounting	Right Angle, None
Center Contact	BeCu/Brass,Gold plating	Insulator	PTFE&PEI

Typical Test Data



通道1	扫描类型	起始频率	终止频率	扫描点数	中频带宽(Hz)	扫描时间(s)	端口1,2功率(dBm)
通道1	线性扫描	0.100000000GHz	67.000000000GHz	801	1000	0.806015	-5.0, -5.0