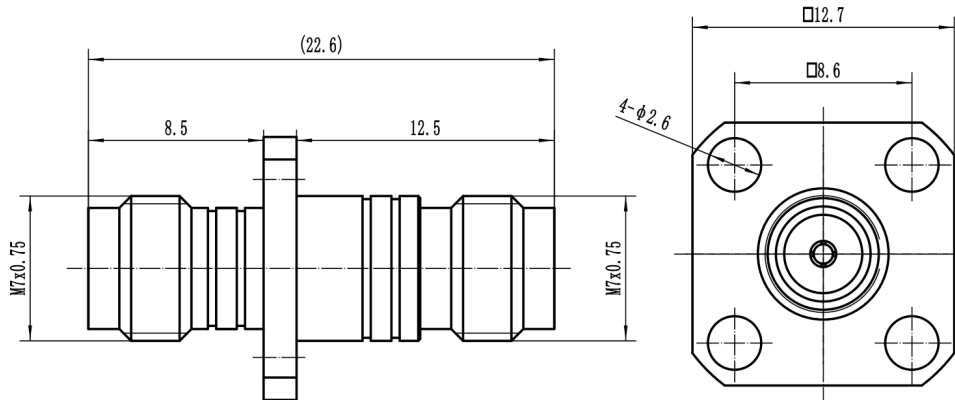




1.85mm Female to 1.85mm Female, Adapter, RA6701F DC-67GHz, Straight, 4 hole flange

Dimensions(mm) Tolerance $\pm 1\%$



Electrical & Environmental

Frequency Range	DC-67GHz	Impedance	50 ohm
VSWR	1.3 max	Operating Temp	-55°C to +165°C

Mechanical & Product Information

Product Number	RA6701F, H-Grade	Connector	1.85mm Female to 1.85mm Female
Connector Body	Passivated stainless steel	Shape/Mounting	Straight, 4 hole flange
Center Contact	Gold plated beryllium copper	Insulator	PEI

Typical Test Data

