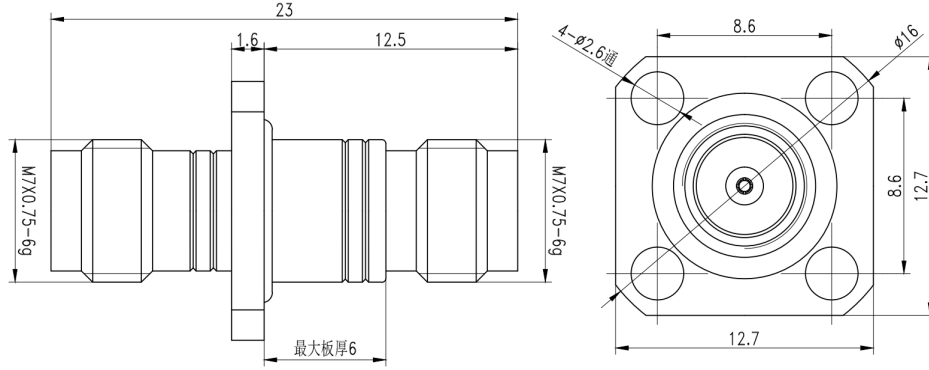




## 1.85mm Female to 1.85mm Female, Adapter, RA6701FS DC-67GHz, Straight, 4 hole flange

### Dimensions(mm) Tolerance±1%



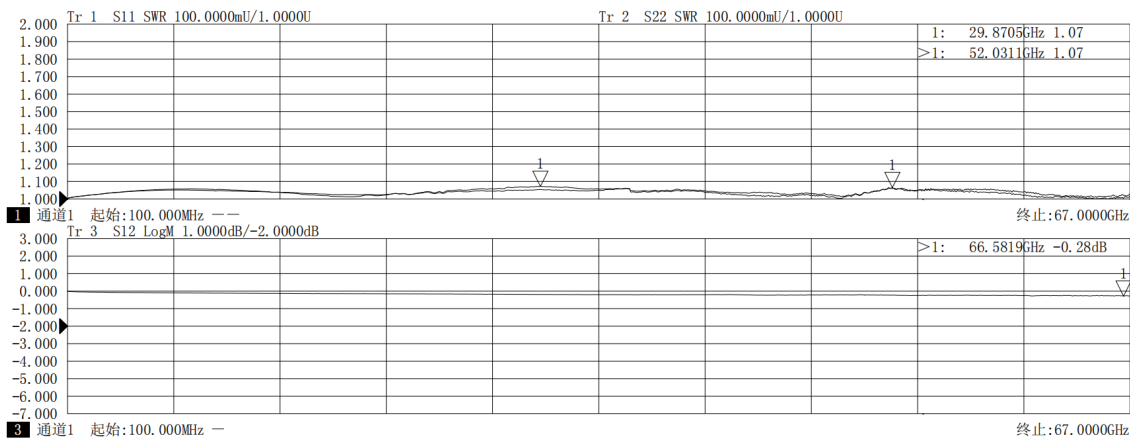
### Electrical & Environmental

Frequency Range	DC-67GHz	Impedance	50 ohm
VSWR	1.2 max	Operating Temp	-55°C to +165°C
Insertion Loss	0.30dB max $\leq 0.1\sqrt{f(\text{GHz})}$ dB		

### Mechanical & Product Information

Product Number	RA6701FS, JP-Grade, Sealing ring	Connector	1.85mm Female to 1.85mm Female
Connector Body	Passivated stainless steel	Shape/Mounting	Straight, 4 hole flange
Center Contact	Gold plated beryllium copper	Insulator	PEI

### Typical Test Data



通道	扫描类型	起始频率	终止频率	扫描点数	中频带宽(Hz)	扫描时间(s)	端口1,2功率(dBm)
通道1	线性扫描	0.100000000GHz	67.000000000GHz	801	1000	0.806015	-5.0, -5.0