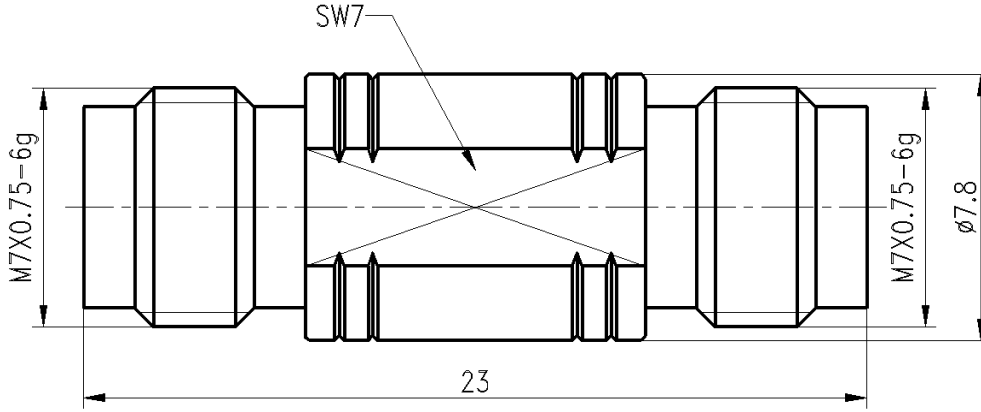




1.85mm Female to 1.85mm Female, Adapter, RA6701-2 DC-67GHz, Straight

Dimensions(mm) Tolerance±1%



Electrical & Environmental

Frequency Range	DC-67GHz	Impedance	50 ohm
VSWR	1.2 max	Operating Temp	-55°C to +165°C
Insertion Loss	0.40dB max $\leq 0.1\sqrt{f(\text{GHz})}$ dB		

Mechanical & Product Information

Product Number	RA6701-2, JP-Grade	Connector	1.85mm Female to 1.85mm Female
Connector Body	Passivated stainless steel 316F	Shape/Mounting	Straight, None
Center Contact	1.27um gold plated beryllium copper	Insulator	PEI

Typical Test Data

