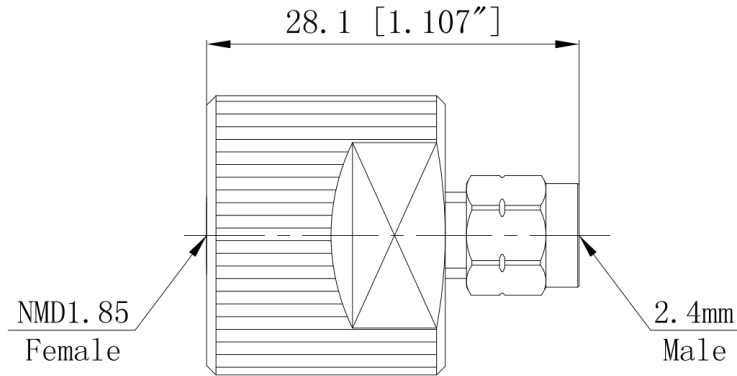




## NMD1.85 Female to 2.4mm Male, Adapter, RA5016 DC-50GHz, Straight

Dimensions(mm) Tolerance $\pm 1\%$



### Electrical & Environmental

Frequency Range	DC-50GHz	Impedance	50 ohm
VSWR	1.25 max	Operating Temp	-55°C to +165°C
Insertion Loss	0.35dB max		

### Mechanical & Product Information

Product Number	RA5016, E-Grade, NMD Series	Connector	NMD1.85 Female to 2.4mm Male
Connector Body	Passivated stainless steel	Shape/Mounting	Straight, None
Center Contact	Gold plated beryllium copper	Insulator	PEI

### Typical Test Data

