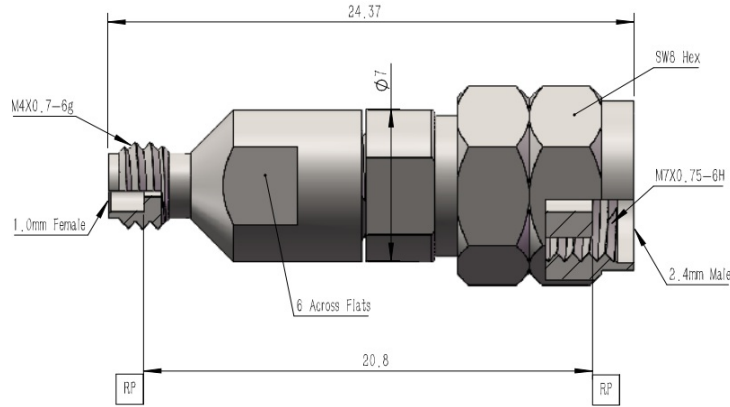




1.0mm Female to 2.4mm Male, Adapter, RA5015 DC-50GHz, Straight

Dimensions(mm) Tolerance±1%



Electrical & Environmental

Frequency Range	DC-50GHz	Impedance	50 ohm
VSWR	1.25 max	Operating Temp	-55°C to +165°C
Insertion Loss	0.35dB max		

Mechanical & Product Information

Product Number	RA5015, H-Grade	Connector	1.0mm Female to 2.4mm Male
Connector Body	Passivated stainless steel	Shape/Mounting	Straight, None
Center Contact	Gold plated beryllium copper	Insulator	PEI

Typical Test Data

