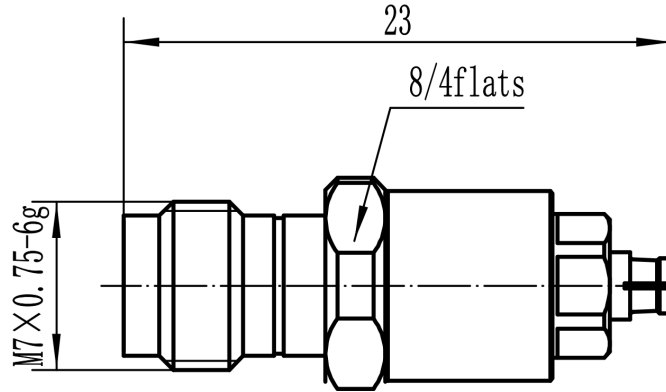




2.4mm Female to SSMP Female, Adapter, RA5011 DC-40GHz, Straight

Dimensions(mm) Tolerance $\pm 1\%$



Electrical & Environmental

Frequency Range	DC-40GHz	Impedance	50 ohm
VSWR	1.25 max	Operating Temp	-55°C to +165°C
Insertion Loss	0.40dB max , Typ 0.3dB		

Mechanical & Product Information

Product Number	RA5011, H-Grade	Connector	2.4mm Female to SSMP Female
Connector Body	Passivated stainless steel & BeCu	Shape/Mounting	Straight, None
Center Contact	Gold plated beryllium copper	Insulator	PEI

Typical Test Data

