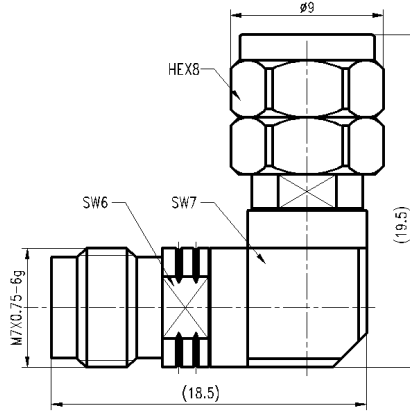




1.85mm Female to 2.4mm Male, Adapter, RA5005W DC-50GHz, Right Angle

Dimensions(mm) Tolerance±1%



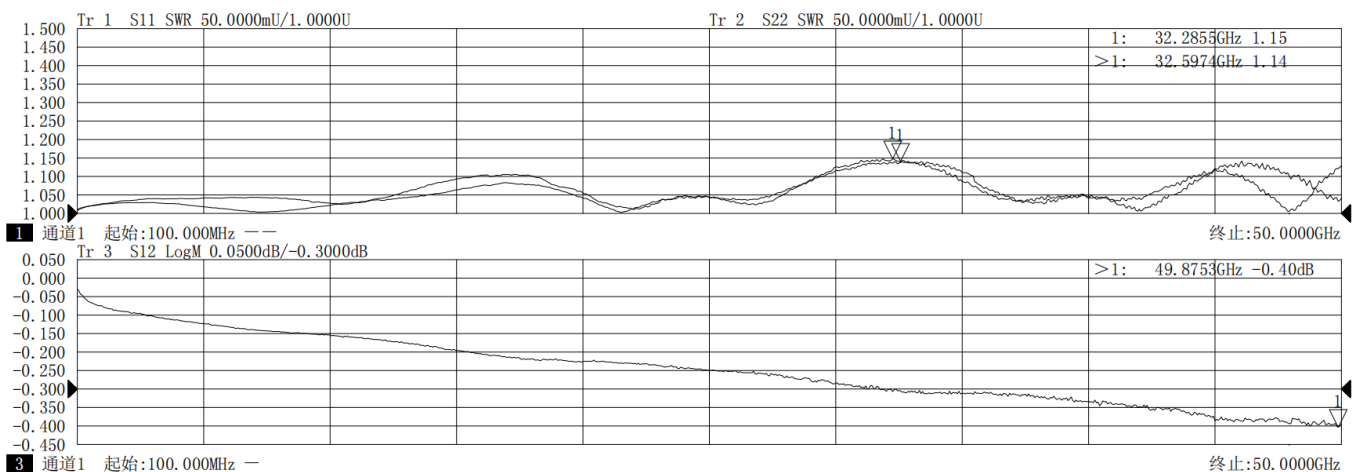
Electrical & Environmental

| | | | |
|-----------------|----------|----------------|-----------------|
| Frequency Range | DC-50GHz | Impedance | 50 ohm |
| VSWR | 1.25 max | Operating Temp | -55°C to +165°C |

Mechanical & Product Information

| | | | |
|----------------|----------------------------|----------------|-----------------------------|
| Product Number | RA5005W, JP-Grade | Connector | 1.85mm Female to 2.4mm Male |
| Connector Body | Passivated stainless steel | Shape/Mounting | Right Angle, None |
| Center Contact | BeCu/Brass,Gold plating | Insulator | PTFE&PEI |

Typical Test Data



| 通道1 | 扫描类型 | 起始频率 | 终止频率 | 扫描点数 | 中频带宽(Hz) | 扫描时间(s) | 端口1,2功率(dBm) |
|-----|------|----------------|-----------------|------|----------|----------|--------------|
| 通道1 | 线性扫描 | 0.100000000GHz | 50.000000000GHz | 801 | 1000 | 0.789015 | -5.0, -5.0 |