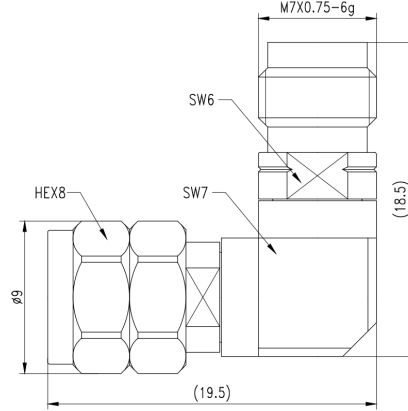




## 2.4mm Male to 2.4mm Female, Adapter, RA5003W DC-50GHz, Right Angle

### Dimensions(mm) Tolerance±1%



### Electrical & Environmental

Frequency Range	DC-50GHz	Impedance	50 ohm
VSWR	1.25 max	Operating Temp	-55°C to +165°C
Insertion Loss	0.45dB max $\leq 0.08\sqrt{f(\text{GHz})}$ dB		

### Mechanical & Product Information

Product Number	RA5003W, JP-Grade	Connector	2.4mm Male to 2.4mm Female
Connector Body	Passivated stainless steel	Shape/Mounting	Right Angle, None
Center Contact	BeCu/Brass,Gold plating	Insulator	PTFE&PEI

### Typical Test Data

