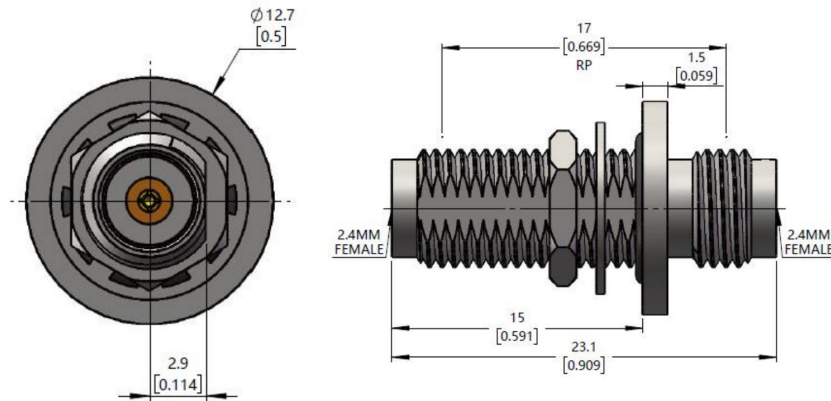




2.4mm Female to 2.4mm Female, Adapter, RA5001YS-2 DC-50GHz, Straight, Bulkhead

Dimensions(mm) Tolerance $\pm 1\%$



Electrical & Environmental

Frequency Range	DC-50GHz	Impedance	50 ohm
VSWR	1.2 max	Operating Temp	-55°C to +165°C
Insertion Loss	0.35dB max		

Mechanical & Product Information

Product Number	RA5001YS-2, JP-Grade, Sealing ring	Connector	2.4mm Female to 2.4mm Female
Connector Body	Passivated stainless steel	Shape/Mounting	Straight, Bulkhead
Center Contact	Gold plated beryllium copper	Insulator	PEI