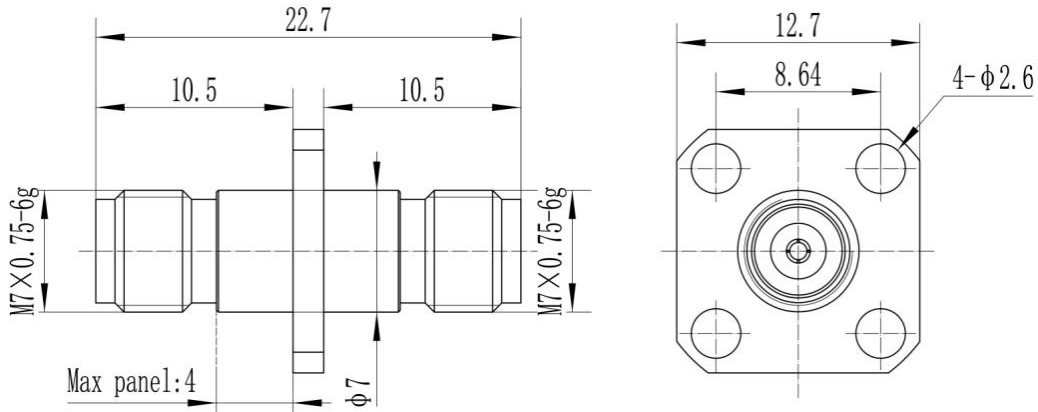




2.4mm Female to 2.4mm Female, Adapter, RA5001F DC-50GHz, Straight, 4 hole flange

Dimensions(mm) Tolerance±1%



Electrical & Environmental

Frequency Range	DC-50GHz	Impedance	50 ohm
VSWR	1.2 max	Operating Temp	-55°C to +165°C
Insertion Loss	0.38dB max , Typ 0.32dB		

Mechanical & Product Information

Product Number	RA5001F, H-Grade	Connector	2.4mm Female to 2.4mm Female
Connector Body	Passivated stainless steel	Shape/Mounting	Straight, 4 hole flange
Center Contact	Gold plated beryllium copper	Insulator	PEI

Typical Test Data

