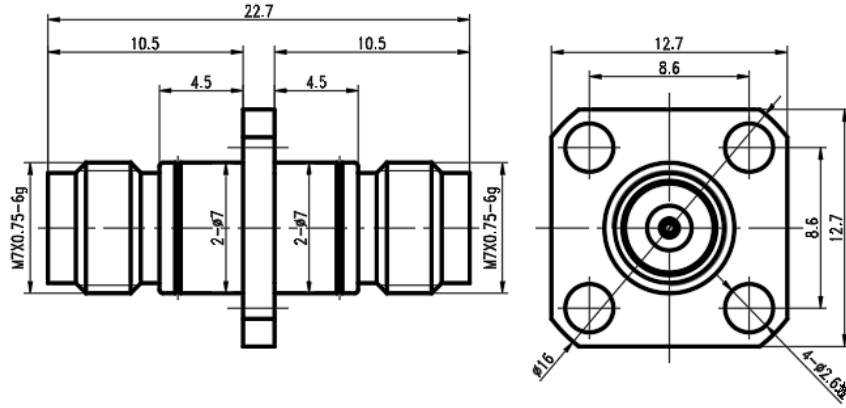


2.4mm Female to 2.4mm Female, Adapter, RA5001F-2 DC-50GHz, Straight, 4 hole flange

Dimensions(mm) Tolerance $\pm 1\%$



Electrical & Environmental

Frequency Range	DC-50GHz	Impedance	50 ohm
VSWR	1.2 max	Operating Temp	-55°C to +165°C

Mechanical & Product Information

Product Number	RA5001F-2, JP-Grade	Connector	2.4mm Female to 2.4mm Female
Connector Body	Passivated stainless steel 316F	Shape/Mounting	Straight, 4 hole flange
Center Contact	1.27um gold plated beryllium copper	Insulator	PEI

