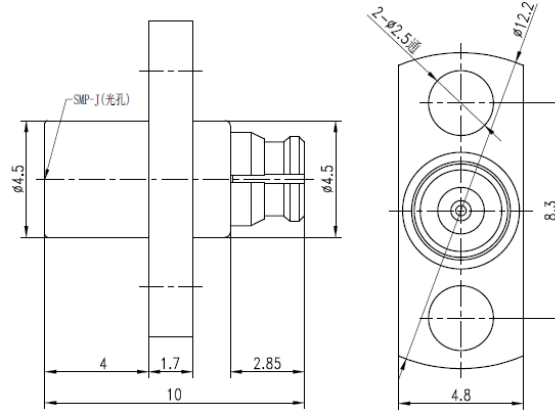


SMP(GPO) Male Limited Detent to SMP(GPO) Female, Adapter, RA40P03F-GBC DC-40GHz, Straight, 2 hole flange

Dimensions(mm) Tolerance $\pm 1\%$



Electrical & Environmental

Frequency Range	DC-40GHz	Impedance	50 ohm
VSWR	1.3 max 加两个转接器配对测试	Operating Temp	-40°C to +155°C

Mechanical & Product Information

Product Number	RA40P03F-GBC, JP-Grade	Connector	SMP(GPO) Male Limited Detent to SMP(GPO) Female
Connector Body	Gold plated beryllium copper	Shape/Mounting	Straight, 2 hole flange
Center Contact	1.27um gold plated beryllium copper	Insulator	PTFE



Microwave and Millimeter wave products
supplier

RFTOP® Technology Co., Ltd.
www.rftop.com service@rftop.com 86-755-88840350