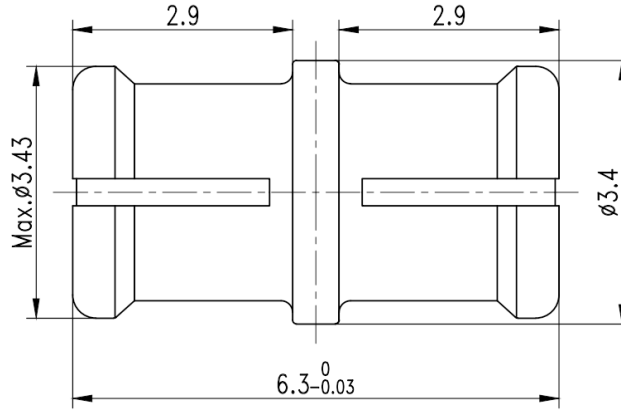




SMP(GPO) Female to SMP(GPO) Female, Adapter, RA40P01-GBC DC-40GHz, Straight

Dimensions(mm) Tolerance±1%



Electrical & Environmental

Frequency Range	DC-40GHz	Impedance	50 ohm
VSWR	1.5 max 加两个转接器配对测试	Operating Temp	-40°C to +155°C

Mechanical & Product Information

Product Number	RA40P01-GBC, JP-Grade	Connector	SMP(GPO) Female to SMP(GPO) Female
Connector Body	Gold plated beryllium copper	Shape/Mounting	Straight, None
Center Contact	1.27um gold plated beryllium copper	Insulator	PTFE

Typical Test Data

