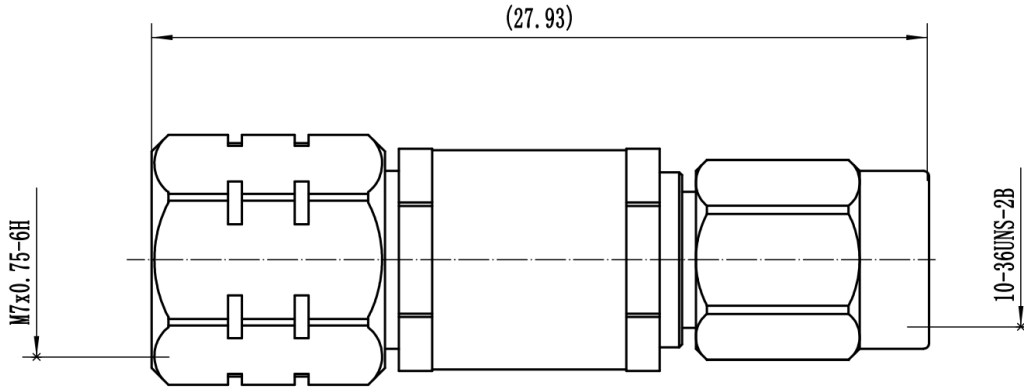




1.85mm Male to SSMA Male, Adapter, RA4037 DC-40GHz, Straight

Dimensions(mm) Tolerance $\pm 1\%$



Electrical & Environmental

Frequency Range	DC-40GHz	Impedance	50 ohm
VSWR	1.12 max	Operating Temp	-55°C to +165°C

Mechanical & Product Information

Product Number	RA4037, H-Grade	Connector	1.85mm Male to SSMA Male
Connector Body	Passivated stainless steel 303F	Shape/Mounting	Straight, None
Center Contact	Gold plated beryllium copper	Insulator	PEI

