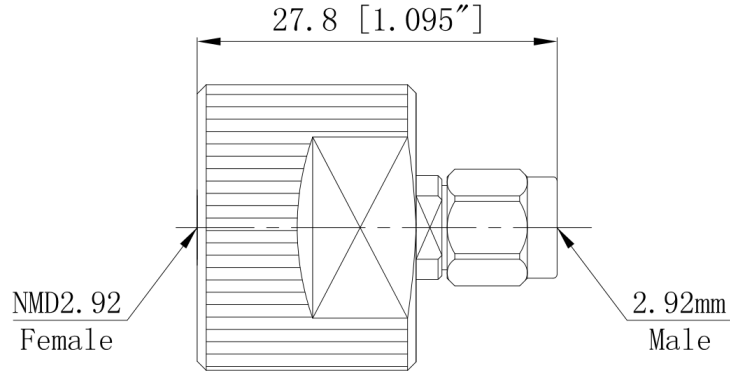




NMD2.92 Female to 2.92mm(K,SK) Male, Adapter, RA4034 DC-40GHz, Straight

Dimensions(mm) Tolerance \pm 1%



Electrical & Environmental

Frequency Range	DC-40GHz	Impedance	50 ohm
VSWR	1.2 max	Operating Temp	-55°C to +165°C

Mechanical & Product Information

Product Number	RA4034, E-Grade, NMD Series	Connector	NMD2.92 Female to 2.92mm(K,SK) Male
Connector Body	Passivated stainless steel	Shape/Mounting	Straight, None
Center Contact	Gold plated beryllium copper	Insulator	PEI

Typical Test Data

