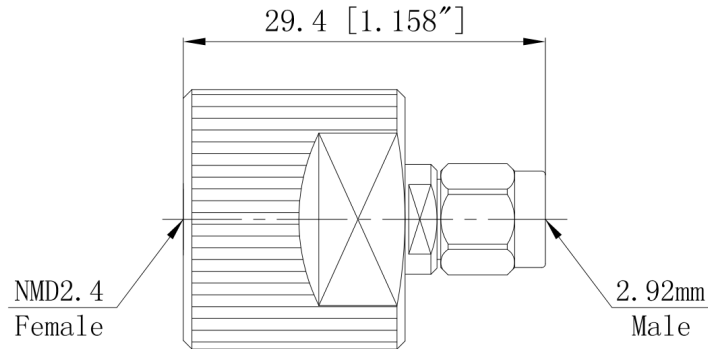




## NMD2.4 Female to 2.92mm(K,SK) Male, Adapter, RA4030 DC-40GHz, Straight

### Dimensions(mm) Tolerance±1%



### Electrical & Environmental

<b>Frequency Range</b>	DC-40GHz	<b>Impedance</b>	50 ohm
<b>VSWR</b>	1.2 max	<b>Operating Temp</b>	-55°C to +165°C
<b>Insertion Loss</b>	0.50dB max		

### Mechanical & Product Information

<b>Product Number</b>	RA4030, E-Grade, NMD Series	<b>Connector</b>	NMD2.4 Female to 2.92mm(K,SK) Male
<b>Connector Body</b>	Passivated stainless steel	<b>Shape/Mounting</b>	Straight, None
<b>Center Contact</b>	Gold plated beryllium copper	<b>Insulator</b>	PEI

### Typical Test Data

