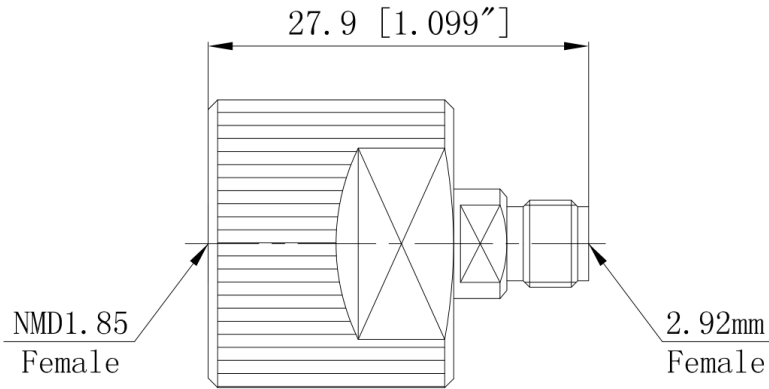




NMD1.85 Female to 2.92mm(K,SK) Female, Adapter, RA4029 DC-40GHz, Straight

Dimensions(mm) Tolerance $\pm 1\%$



Electrical & Environmental

Frequency Range	DC-40GHz	Impedance	50 ohm
VSWR	1.2 max	Operating Temp	-55°C to +165°C
Insertion Loss	0.50dB max		

Mechanical & Product Information

Product Number	RA4029, E-Grade, NMD Series	Connector	NMD1.85 Female to 2.92mm(K,SK) Female
Connector Body	Passivated stainless steel	Shape/Mounting	Straight, None
Center Contact	Gold plated beryllium copper	Insulator	PEI

Typical Test Data

