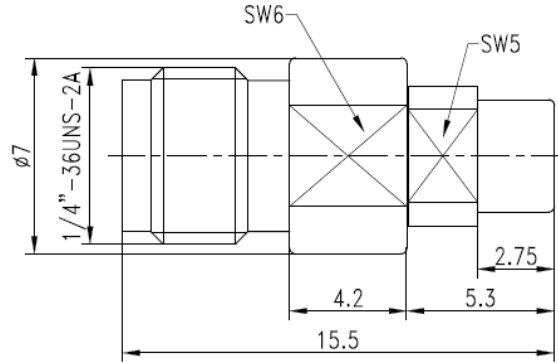


2.92mm Female to SSMP Male Full Detent, Adapter, RA4022-2 DC-40GHz, Straight

Dimensions(mm) Tolerance $\pm 1\%$



Electrical & Environmental

Frequency Range	DC-40GHz	Impedance	50 ohm
VSWR	1.2 max	Operating Temp	-55°C to +165°C
Insertion Loss	0.40dB max , Typ 0.3dB, $\leq 0.08\sqrt{f(\text{GHz})}$ dB		

Mechanical & Product Information

Product Number	RA4022-2, JP-Grade	Connector	2.92mm Female to SSMP Male Full Detent
Connector Body	Passivated stainless steel 316F	Shape/Mounting	Straight, None
Center Contact	Gold plated beryllium copper	Insulator	PEI

