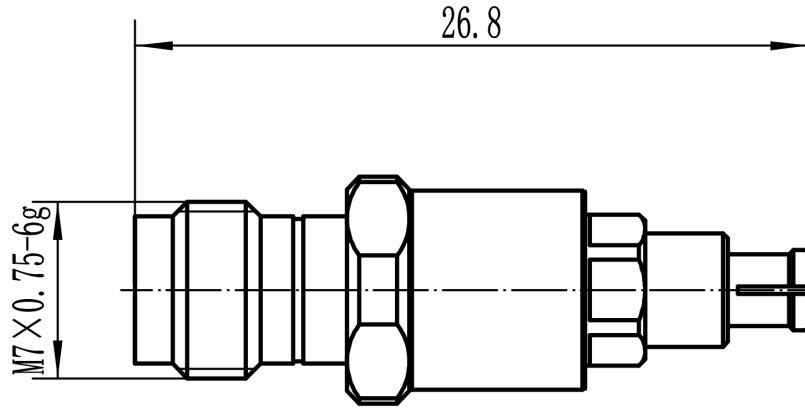




## 2.4mm Female to SMP(GPO) Female, Adapter, RA4019 DC-40GHz, Straight

Dimensions(mm) Tolerance $\pm 1\%$



### Electrical & Environmental

Frequency Range	DC-40GHz	Impedance	50 ohm
VSWR	1.3 max	Operating Temp	-55°C to +165°C
Insertion Loss	0.40dB max , Typ 0.3dB		

### Mechanical & Product Information

Product Number	RA4019, H-Grade	Connector	2.4mm Female to SMP(GPO) Female
Connector Body	Passivated stainless steel & BeCu	Shape/Mounting	Straight, None
Center Contact	Gold plated beryllium copper	Insulator	PEI&PTFE

### Typical Test Data

