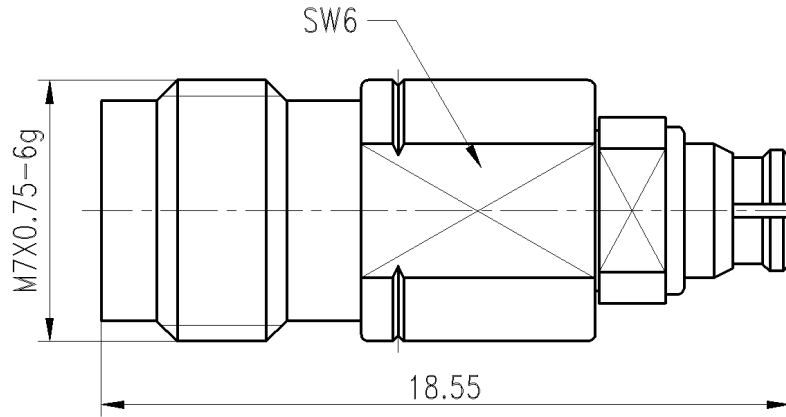


2.4mm Female to SMP(GPO) Female, Adapter, RA4019-2 DC-40GHz, Straight

Dimensions(mm) Tolerance $\pm 1\%$



Electrical & Environmental

Frequency Range	DC-40GHz	Impedance	50 ohm
VSWR	1.25 max (互配测试)	Operating Temp	-55°C to +165°C

Mechanical & Product Information

Product Number	RA4019-2, JP-Grade	Connector	2.4mm Female to SMP(GPO) Female
Connector Body	Passivated stainless steel 316F & BeCu	Shape/Mounting	Straight, None
Center Contact	1.27um gold plated beryllium copper	Insulator	PEI

