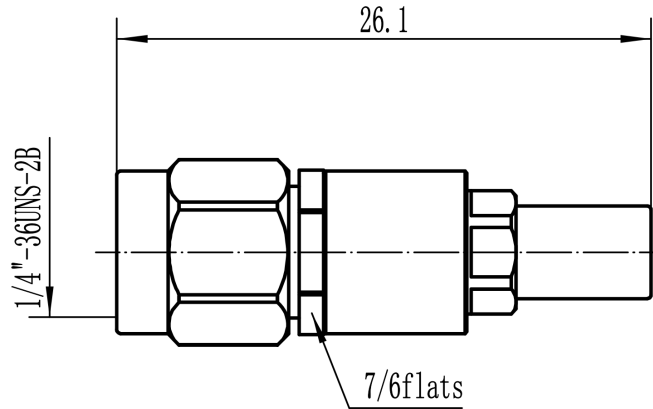




2.92mm(K,SK) Male to SMP(GPO) Male Limited Detent, Adapter, RA4012 DC-40GHz, Straight

Dimensions(mm) Tolerance $\pm 1\%$



Electrical & Environmental

Frequency Range	DC-40GHz	Impedance	50 ohm
VSWR	1.3 max	Operating Temp	-55°C to +165°C
Insertion Loss	0.40dB max , Typ 0.3dB		

Mechanical & Product Information

Product Number	RA4012, H-Grade	Connector	2.92mm(K,SK) Male to SMP(GPO) Male Limited Detent
Connector Body	Passivated stainless steel	Shape/Mounting	Straight, None
Center Contact	Gold plated beryllium copper	Insulator	PEI&PTFE

Typical Test Data

