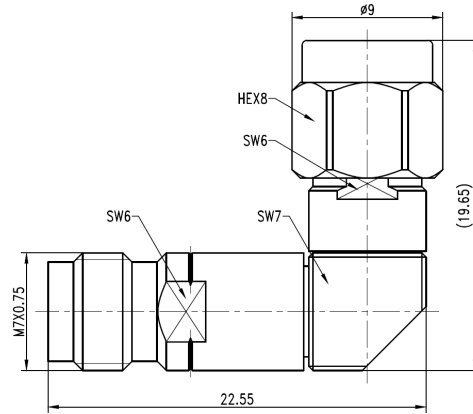


## 2.4mm Female to 2.92mm Male, Adapter, RA4007W-2 DC-40GHz, Right Angle

Dimensions(mm) Tolerance $\pm 1\%$



### Electrical & Environmental

Frequency Range	DC-40GHz	Impedance	50 ohm
VSWR	1.2 max	Operating Temp	-55°C to +165°C

### Mechanical & Product Information

Product Number	RA4007W-2, JP-Grade	Connector	2.4mm Female to 2.92mm Male
Connector Body	Passivated stainless steel 316F	Shape/Mounting	Right Angle, None
Center Contact	BeCu/Brass,Gold plating	Insulator	PTFE&PEI

