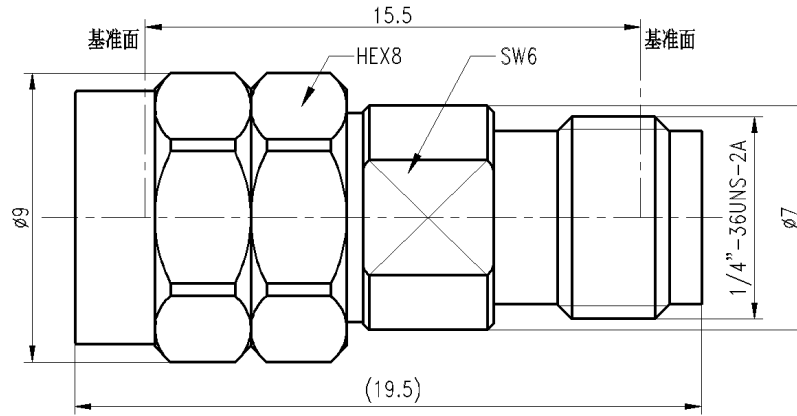


2.92mm Female to 2.4mm Male, Adapter, RA4005-2 DC-40GHz, Straight

Dimensions(mm) Tolerance±1%



Electrical & Environmental

Frequency Range	DC-40GHz	Impedance	50 ohm
VSWR	1.15 max	Operating Temp	-55°C to +165°C

Mechanical & Product Information

Product Number	RA4005-2, JP-Grade	Connector	2.92mm Female to 2.4mm Male
Connector Body	Passivated stainless steel 316F	Shape/Mounting	Straight, None
Center Contact	1.27um gold plated beryllium copper	Insulator	PEI

