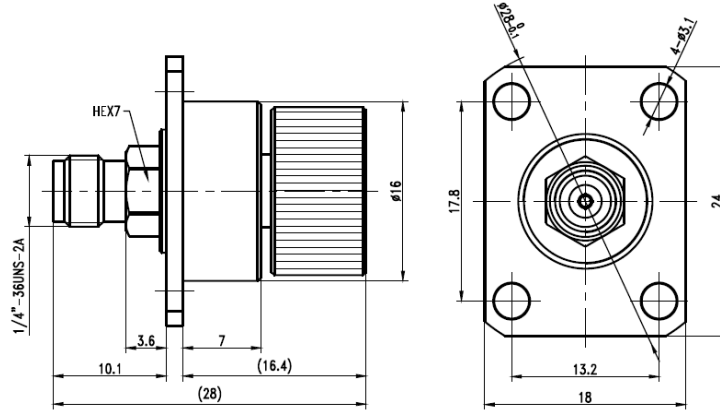


## 2.92mm Male to 2.92mm Female, Adapter, RA4003FS DC-40GHz, Straight, 4 hole flange

Dimensions(mm) Tolerance $\pm 1\%$



### Electrical & Environmental

Frequency Range	DC-40GHz	Impedance	50 ohm
VSWR	1.2 max	Operating Temp	-55°C to +165°C

### Mechanical & Product Information

Product Number	RA4003FS, JP-Grade, Sealing ring	Connector	2.92mm Male to 2.92mm Female
Connector Body	Passivated stainless steel 316F	Shape/Mounting	Straight, 4 hole flange
Center Contact	1.27um gold plated beryllium copper	Insulator	PEI

